

# ZC Series

## Cantilever Butt Splicer

### Overview

The ZC has two cantilevered roll positions that will feed a continuous supply of material into the press, while the integrated storage festoon eliminates the need to stop for changing rolls. Common features such as robust solid steel plate construction, industry standard components, and a user friendly design make this unit a cost effective solution for increasing production throughput.

### Standard Features

- Automatic zero speed butt splice at process line speed
- Diagonal butt splice with no overlap
  - Both webs are cut simultaneously providing a uniform splice joint
  - Leading edge of the new roll is “butted” to the trailing edge of the expiring roll
- Operator friendly, single-method splice preparation
- Heavy duty construction
- Automatic roll sidelay
- Two-sided tape application
- Bi-directional unwind capability
- PLC Controls with touch screen

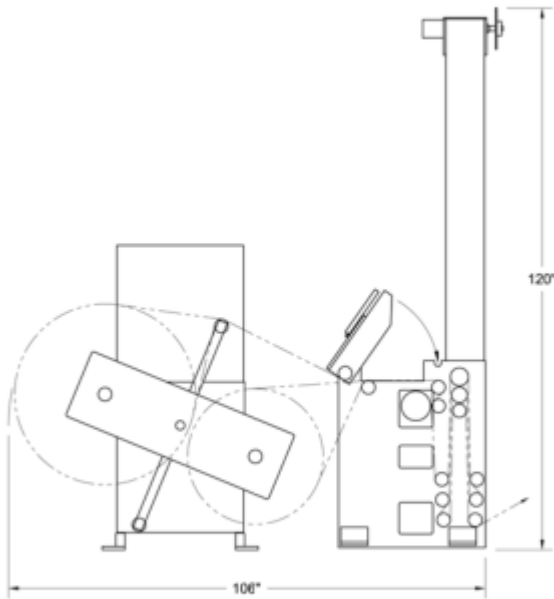


# ZC Series

## Cantilever Butt Splicer

### Options

- In-register splice system for pre-printed webs
- Spiral grooved rollers
- Automatic decurler
- Integrated roll loading dolly
- Roll loading cart
- Core adapters for alternate core sizes
- Remote diagnostics ready



MODEL ZC1640-05

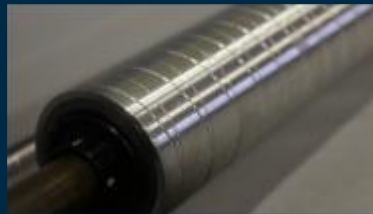
DIMENSIONS SUBJECT TO CHANGE WITHOUT NOTICE

## Specifications

**Web Width** • Up to 22 inch (558mm)  
**Roll Diameter** • Up to 60 inch (1524mm)  
**Roll Weight** • Up to 1000 lbs (453 kg)  
**Splice Speed** • Up to 1000 FPM (304 MPM)  
**Core Size** • 3 inch (76mm)

### Materials

Paper  
Label Stock  
Film  
Tag  
Specialty Materials



## KTI, A Quantum Design Product Line

7550 Quantum Court • Caledonia, IL 61011

**P** (815) 885-1300 • **F** (815) 885-1370

**Web** [www.ktiusa.com](http://www.ktiusa.com) • **Email** [info@ktiusa.com](mailto:info@ktiusa.com)