



**Mechanical  
Specialties**

# Core Cutter Machines & Custom Manufacturing

2020 Catalogue C-32

**Mechanical Specialties**  
1143 Main Street  
PO Box 782  
Wyoming, RI 02898

[www.msccorechucks.com](http://www.msccorechucks.com)  
p. 401.267.4410  
f. 401.267.4661

**Made in the USA**

# Manual Core Cutter

The Manual Core Cutter that eliminates constant replacement and resharpening of cutting knives.

For cardboard cores



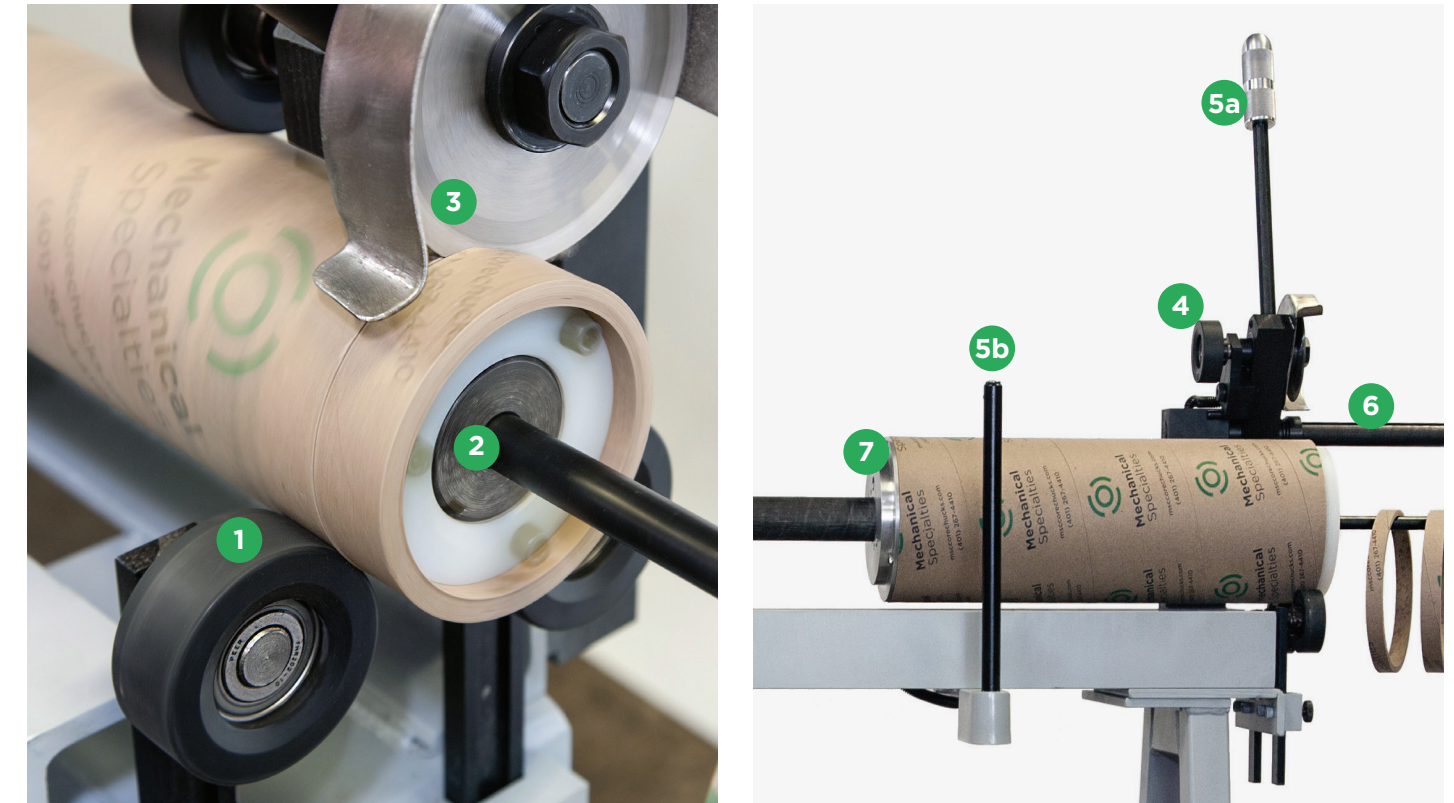
Model CC-3/6-54 for 3" and 6" I.D. cardboard cores

It's unique in its simplicity of design and function. **We build custom core cutters for your individual needs.**

Months of service without cutter replacement!

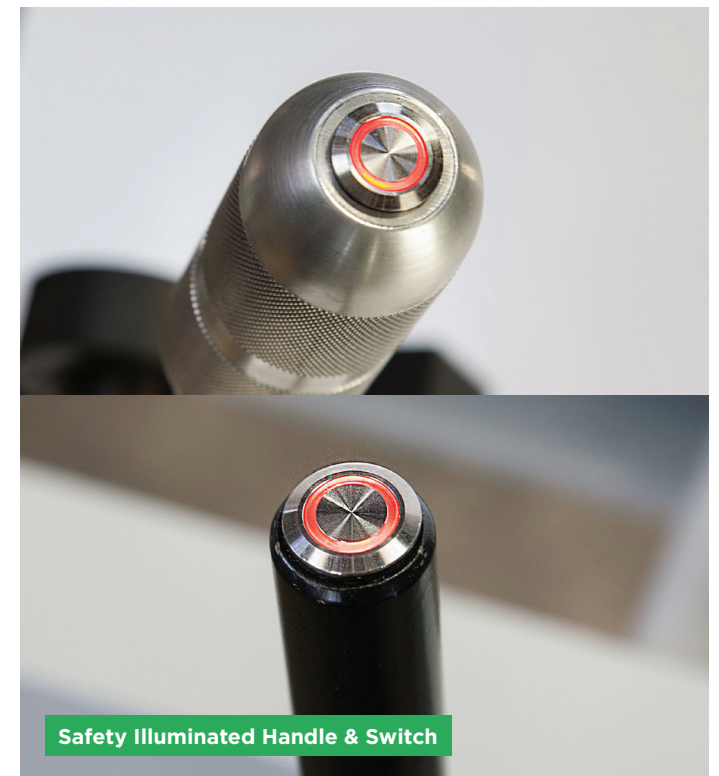
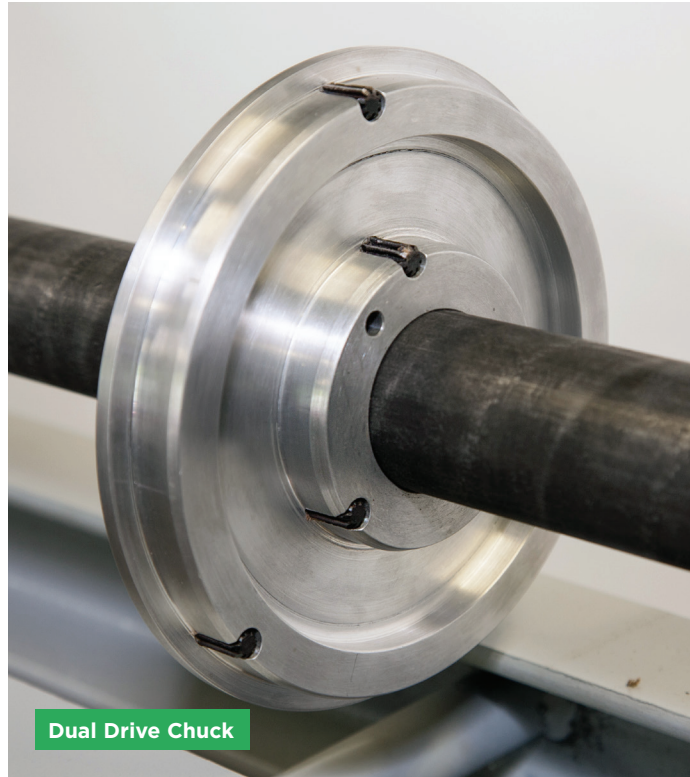
To watch a video description and demonstration of our core cutter visit our website at [www.msccorechucks.com](http://www.msccorechucks.com).

# Core Cutter Parts



- 1 Adjustable support rollers**  
Two adjustable support rollers work independently of each other.
- 2 Cutting platen**
- 3 Rotary knife with guard**
- 4 Variable limitation roller (cutting depth adjustment)**
- 5 Safety buttons for machine operation**  
Illuminated push button handle (5a) and illuminated switch (5b) let operator know power to machine is "on." Machine won't operate unless both handle and switch are pushed together.
- 6 Adjustable core stop**
- 7 Dual drive chuck**

# Core Cutter Parts (cont.)



# Core Cutter Information

# Mechanical Specialties Core Cutter

All Mechanical Specialties Core Cutters are built to produce uniform, accurately cut cardboard cores, with clean, dust free, true edges without fuzz or burrs.



## Model CC-3/6-54

Core		Electrical			Dimensions				
Max Length	Diameter Min I.D.	Diameter Max I.D.	Max Core Wall Thickness	Motor	Voltage	Length	Width	Height	Weight
56"	3"	6"	1/2"	1/2 HP	115V	101"	24"	61"	350 lbs.

### Exclusive Features

#### Included in Price

Heavy duty solid steel uniform machine with attached legs  
Comes complete with 3" & 6" plastic platen.  
Comes complete with 3/6 inch dual combo drive chuck.

#### Economical, Durable Platen

The Cutting Platen is made for quick removal and replacement (changes can be made in a matter of seconds). Its unique features are responsible for the long life of the Rotary Knife. With normal usage, the platen will last months without replacement. It can be laterally adjusted to provide new cutting surfaces. Its low cost makes it an expendable item.

#### Cutting Operation

A built-in Rotary Depth Gauge limits the cutting penetration and extends both knife and Cutting Platen life.

#### Cut Core Support

An Extension Support Disc for supporting core overhang during and after the cutting operation is furnished at no extra cost.

### Other Features

#### Accurate Repetitive Cutting

Repetitive cuts can be held to close tolerance through the use of a Measuring Bar with a built-in scale and adjustable core length stop assembly.

#### Quality Knives

The high quality steel Rotary Cutting Knife will cut continuously in day-to-day production for months without change. This long life combined with the knife's low cost make it an expendable item.

#### Ease of Use

Two support rollers are furnished underneath the cutting platen to support the core and prevent excessive deflection. Both support rollers work independently of each other. Design of the handle reduces cutting effort to a minimum, thus reducing operator fatigue.

#### Machine Specs

Core length over mandrel is 54". Will cut core walls as thick as 1/2". Comes complete with an energy efficient 1/2 H.P., 60 cycle, 115/230 volt, single phase 1140 rpm motor.

Information on other models, including many custom built combination models, is available upon request.

## Core Cutter

### Series Number

CC-3-54	Core Cutter with Legs for cutting 3" ID cardboard cores
CC-3/6-54	Core Cutter with Legs for cutting 3" & 6" ID cardboard cores
CC-Handle-Replacement	Core Cutter switch with replacement handle (complete with wire)
CC-DHP-3	Core Cutter Drive Hub, Platen, 3"
CC-DHP-6	Core Cutter Drive Hub, Platen, 6"
CC-DC	Core Cutter Drive Chucks - 3", 3 & 4", 6", 3 & 6", 8" in ID cardboard cores.
CC-DCK	Core Cutter Drive Chuck Key
CC-DCR	Core Cutter Drive Chuck Roller
CC-ASR	Core Cutter Adjustable, Support Roller
CC-LR	Core Cutter Adjustable, Limitation Roller
CC-MB	Core Cutter Measuring Bar
CC-CSA	Core Cutter Core Stop Assembly
CC-ER	Core Cutter Extension Rod
CC-RK-4	Core Cutter 4" Rotary Knife
CC-DCP	Drive Chuck Pins

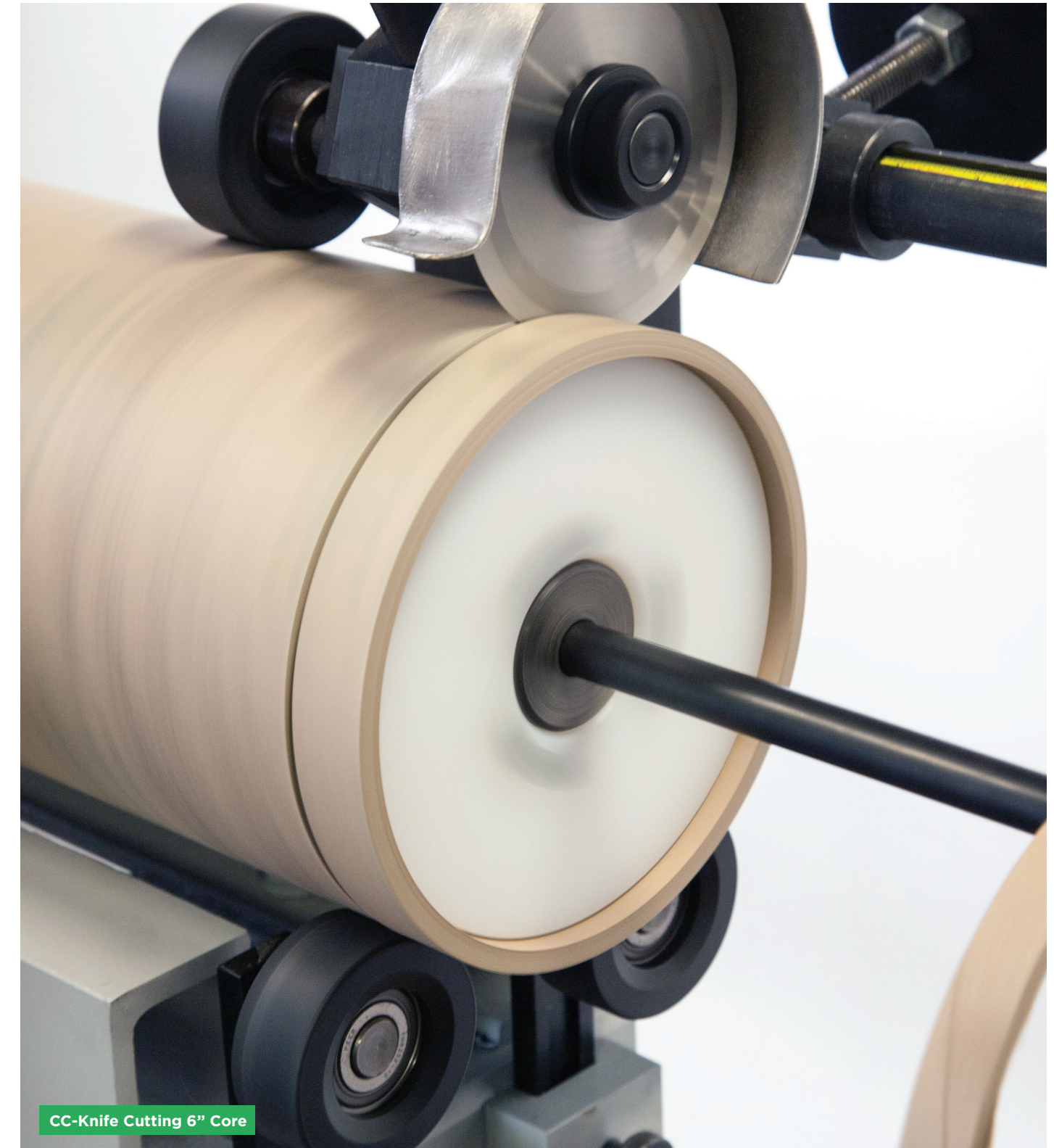
## Plastic Platens

### Series Number

Single Plastic	Triple Plastic
PL-3-1	PL-3-3
PL-4-1	PL-4-3
PL-5-1	PL-5-3
PL-6-1	PL-6-3



We can make larger than 6" platens too.



# Mechanical Specialties Core Cutter



CC-3/6-54

# Custom Manufacturing

Send us your drawing, and we'll make it.

Mechanical Specialties is a full service machine shop able to manufacture and fabricate any of your specific needs. All products from materials to production are made in the USA. Only top quality alloys are used. All we need is an authorized drawing or a sample of your existing product.



# History

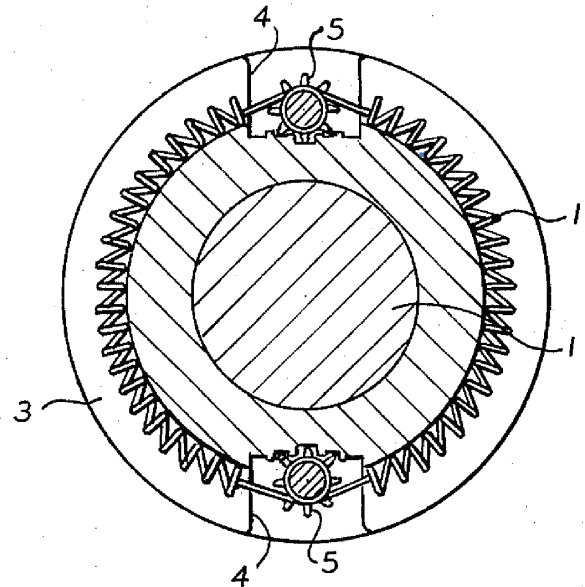
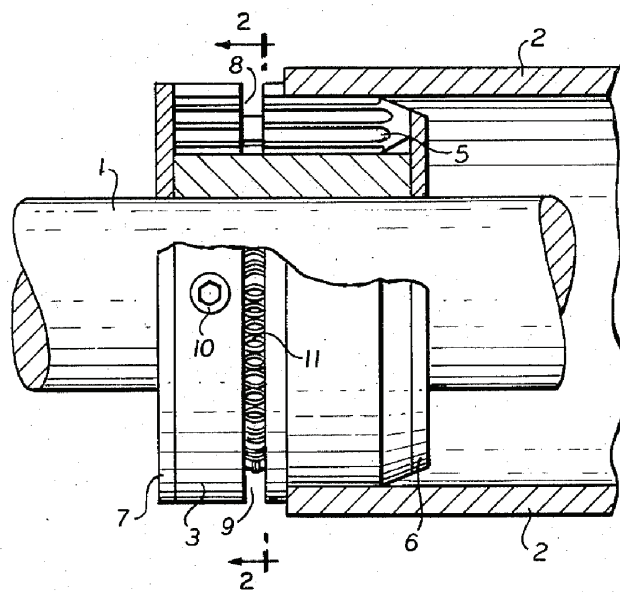
Mechanical Specialties was founded by Arthur T. Blake. Mr. Blake was the chief engineering designer for a national plastics film company and was responsible for modifying the firm's machinery and equipment used in the production of plastic film, while meeting the ever increasing standards of their customers. This experience and knowledge enabled him to obtain numerous patents and create the unique products that we continue to make today.

Mr Blake's family has continued operating the company since its beginning in 1958. We are now the third generation at the helm with a positive outlook toward the future.

The Mechanical Specialties Company produced, marketed and patented the first commercial application of a self-locking core chuck, both in the United States and abroad. This introduction of a chuck that was self-locking brought a totally new concept to the winding and unwinding of roll material. The use of self-locking chucks as a prerequisite for quality roll production has been advocated in many trade media outlets. Its use as standard equipment on machines produced by major equipment manufacturers attest to its widespread approval throughout the industry.

We are proud to be a leader in this field with a very effective, maintenance-free product.

Mechanical Specialties, under new management, relocated their operations from New Jersey to Rhode Island in 2015. As a family run business, we strive to provide personal service and attention, including immediate responses to your questions or concerns. All of our products are manufactured from the highest quality materials and made to last. In addition, the custom manufacturing side of our business is available to manufacture other products that you may require. All that is required is an authorized drawing.



# Information

## Core Cutter Warranty Information

Core Cutters manufactured by Mechanical Specialties will function as specified on new cores or cores in reasonable condition. Mechanical Specialties will replace all parts that prove defective in material or workmanship for a period of one year from date of delivery, provided they have been subject to proper usage. However, this does not include the replacement of parts that have been subject to normal wear such as Rotary Cutters (knives), Cutting Platens, Rubber Support Rollers and Limitation Rollers. Commercial Component Parts are under warranty to the original manufacturer's guarantee.

## Additional Warranty / Disclaimer Information

The right is reserved to make price, design, and specification changes without notice and with no obligation to provide similar changes on previously furnished Mechanical Specialties products. Our products are carefully inspected at our plant before shipment and are guaranteed against defective materials and workmanship, but only to the extent of repair or replacement, and includes no recompense for any costs, losses or damages arising because of such defective part. No other guarantees shall be implied and Mechanical Specialties assumes no liability beyond that expressed above.

In accordance with the guarantee, Mechanical Specialties will replace or repair any unit within one year from date of delivery.

