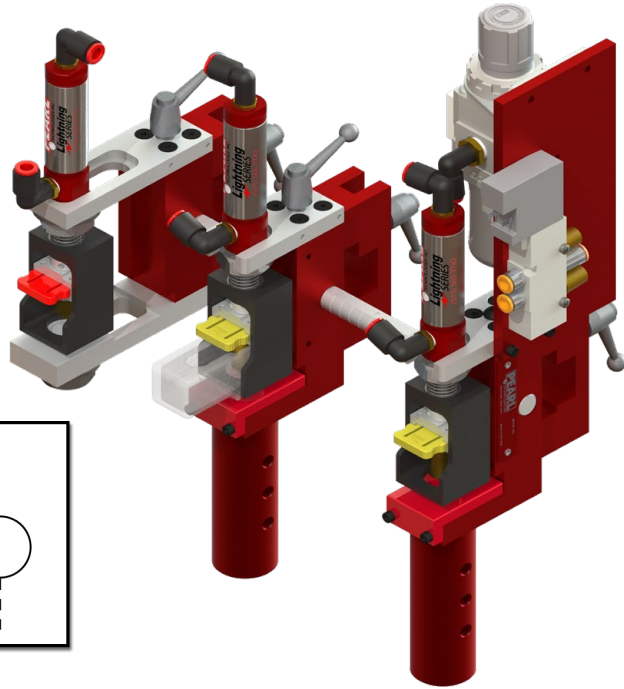
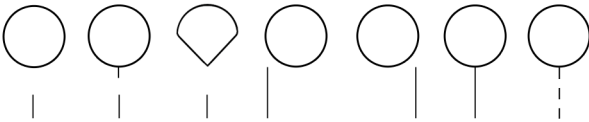


Lightning Wicket Attachment (PA-LS)

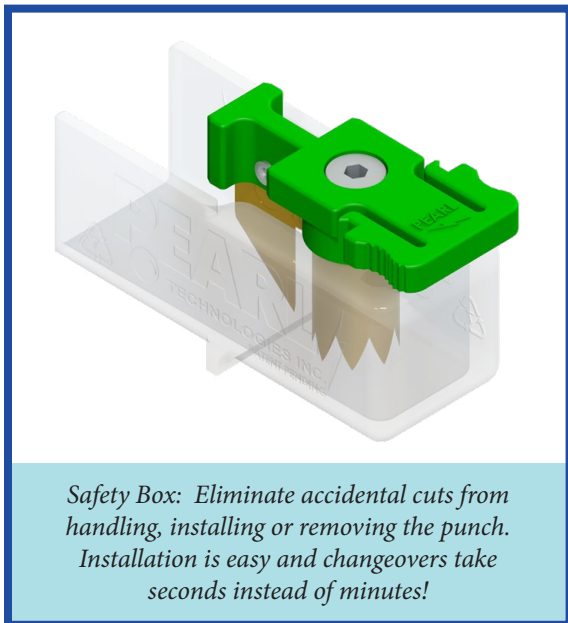
Optional
Seal Saver



Custom coated steel Lightning Punches
available in any shape or specification:



Pearl's innovative wicketer creates precision tear-offs at lightning-fast speeds. The one-piece design ensures specified gap sizes will not change, eliminating bag rejections. Punches snap in and out in seconds, yielding more efficient production lines. Custom gaps and shapes available. Removable cylinder assembly makes replacing the air cylinder, adapter, spring, and web clamp faster. Left or right handed assemblies available.



Safety Box: Eliminate accidental cuts from handling, installing or removing the punch. Installation is easy and changeovers take seconds instead of minutes!

Features:

- Tool-less punch change outs in seconds
- Built-in scale for quick hole spacing adjustments
- Eliminate weak seal blowouts with optional seal saver
- Simple mounting and installation
- Removable die wear plates prolong unit life
- Patented clamp extends punch life
- Double acting cylinder allows for faster speeds

Punch Body Color Designation:

- Blue = 1/8" gap to slit
- Yellow = 3/16" gap to slit
- Green = 1/4" gap to slit
- Red = Custom size or no gap to slit

Save Time. Save Money. Buy Pearl.

315-365-3742 • sales@pearltechinc.com • www.pearltechinc.com

